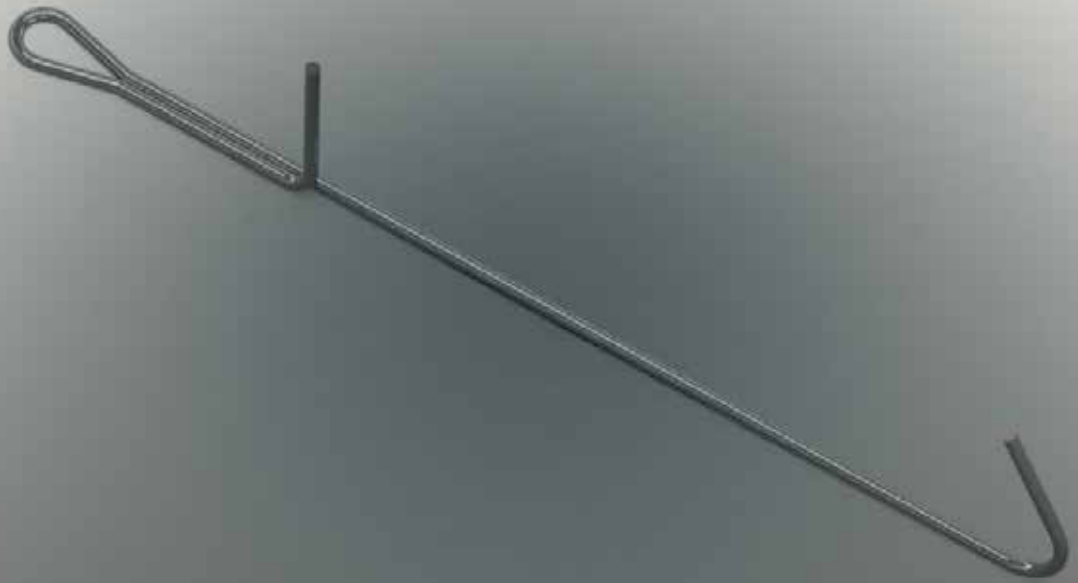


fibo intercon

Concrete systems

Lifting hooks



Your partner in concrete solutions



Your simple and competitive solution for lifting concrete elements

Technical specifications

(given for elements of concrete type LB 7,5/1500 and 150-540 mm thick. *)
LBH 8/1,6

Size (mm):	Max. load (kg):
ø 8x950	300
ø 8x1350	400
ø 10x2000	1920
ø 10x2700	1920
ø 12x2000	2640
ø 14x2000	3300
ø 16x2000	3580

Description

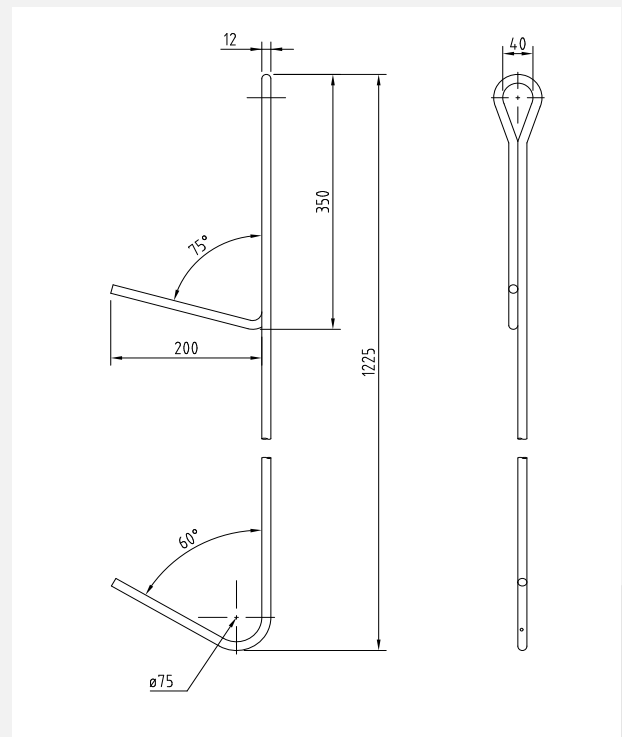
We supply lifting hooks for casting into concrete elements, as one of our concrete solutions.

The lifting hooks are produced in different sizes by fibo intercon (shown in the green table) and special hooks can be customized accordingly.

The lifting hooks are tested for weight and pressure resistance during the lifting process of the concrete element and provide the required solution.

The steel used for producing the lifting hooks has the quality S235J2+N and S355J2+N.

A technical drawing is provided below. The drawing corresponds to a lifting hook of size ø 12x2000.



You are welcome to contact us for more information!

* The lifting hooks are customized according to the type of concrete and the size of the wall element.



- Contact us for more information

fibo intercon 2014 a/s

Herningvej 4
DK-6920 Videbaek
Denmark
Phone: +45 97 17 16 66

info@fibointercon.com
www.fibointercon.com

